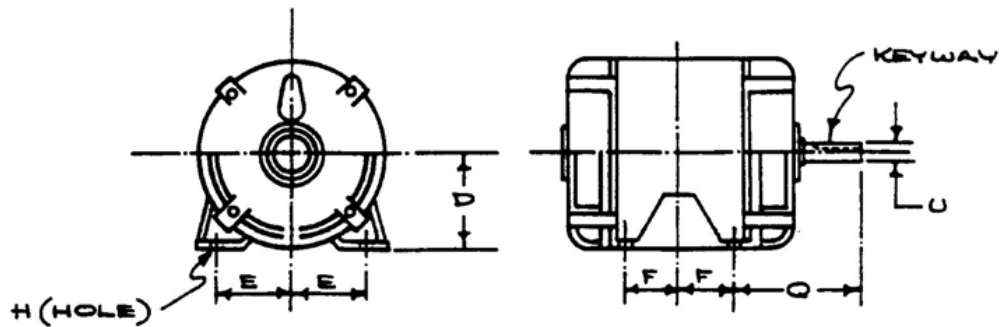
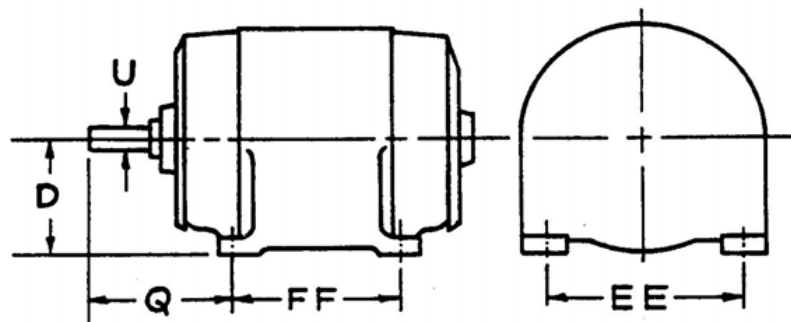


MOTOR MOUNTING DIMENSIONS



FRAME	D	E	F	H	Q	U	KEYWAY
48	3	2-1/8	1-3/8	11/32	4	1/2	3/64 FLAT
56	3-1/2	2-7/16	1-1/2	11/32	4-5/8	5/8	3/16x3/32



FRAME	D	EE	FF	Q	U	KEYWAY
143T	3-1/2	5-1/2	4	4-1/2	7/8	3/16x3/32
145T	3-1/2	5-1/2	5	4-1/2	7/8	3/16x3/32
182T	4-1/2	7-1/2	4-1/2	5-1/2	1-1/8	1/4x1/8
184T	4-1/2	7-1/2	5-1/2	5-1/2	1-1/8	1/4x1/8
213T	5-1/4	8-1/2	5-1/2	6-7/8	1-3/8	5/16x5/32
215T	5-1/4	8-1/2	7	6-7/8	1-3/8	5/16x5/32
254T	6-1/4	10	8-1/4	8-1/4	1-5/8	3/8x3/16
256T	6-1/4	10	10	8-1/4	1-5/8	3/8x3/16
284T	7	11	9-1/2	9-3/8	1-7/8	1/2x1/4
284TS	7	11	9-1/2	8	1-5/8	3/8x3/16
286T	7	11	11	9-3/8	1-7/8	1/2x1/4
286TS	7	11	11	8	1-5/8	3/8x3/16
324T	8	12-1/2	10-1/2	10-1/2	2-1/8	1/2x1/4
324TS	8	12-1/2	10-1/2	9	1-7/8	1/2x1/4

FRAME	D	EE	FF	Q	U	KEYWAY
326T	8	12-1/2	12	10-1/2	2-1/8	1/2x1/4
326TS	8	12-1/2	12	9	1-7/8	1/2x1/4
364T	9	14	11-1/4	11-3/4	2-3/8	5/8x5/16
364TS	9	14	11-1/4	9-5/8	1-7/8	1/2x1/4
365T	9	14	12-1/4	11-3/4	2-3/8	5/8x5/16
365TS	9	14	12-1/4	9-5/8	1-7/8	1/2x1/4
404T	10	16	12-1/4	13-7/8	2-7/8	3/4x3/8
404TS	10	16	12-1/4	10-7/8	2-1/8	1/2x1/4
405T	10	16	13-3/4	13-7/8	2-7/8	3/4x3/8
405TS	10	16	13-3/4	10-7/8	2-1/8	1/2x1/4
444T	11	18	14-1/2	16	3-3/8	7/8x7/16
445TS	11	18	14-1/2	12-1/4	2-3/8	5/8x5/16
445TS	11	18	16-1/2	12-1/4	2-3/8	5/8x5/16
447TS	11	18	20	12-1/4	2-3/8	5/8x5/16